



产品说明书

Product manual

产品简介：

LB215是一款无源双15寸超低频扬声器系统，采用2只顶级15寸单元设计。LB115是MOM工程师专为搭配小尺寸全频箱而开发的低频扬声器系统。

LB215作为LS系列线性阵列的低频扩展和堆叠模式的物理基座，配有吊挂系统，可以搭配LS1线阵音箱一起使用，成为一款创新式的分体外置三分频线阵列音箱系统。由于采用分体式设计，使得箱体尺寸极致的小巧，无论是大型户外演唱会，大型会议室，又或者是酒吧等多种应用场合LB215、LS1系统都能轻松应对。



(示图供参考，可定制其他颜色)

LB215 is a passive dual 15 inch ultra-low frequency speaker system, designed with 2 top-level 15 inch units. LB115 is a low-frequency speaker system developed by MOM engineers specifically for pairing with small-sized full frequency boxes.

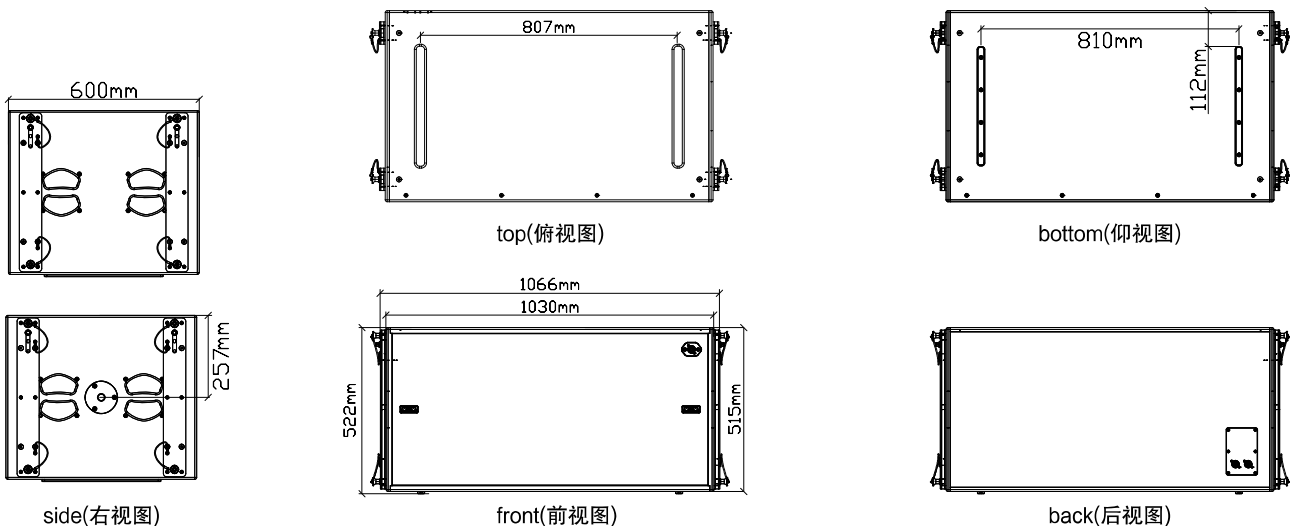
As the physical base for low-frequency expansion and stacking mode of LS series linear arrays, LB215 is equipped with a suspension system, which can be used together with LS1 linear array speakers, becoming an innovative split external three division line array speaker system. Due to the use of a split design, the box size is extremely compact, making it easy for LB215 and LS1 systems to handle various applications such as large outdoor concerts, large conference rooms, and bars.

Technical Specifications:

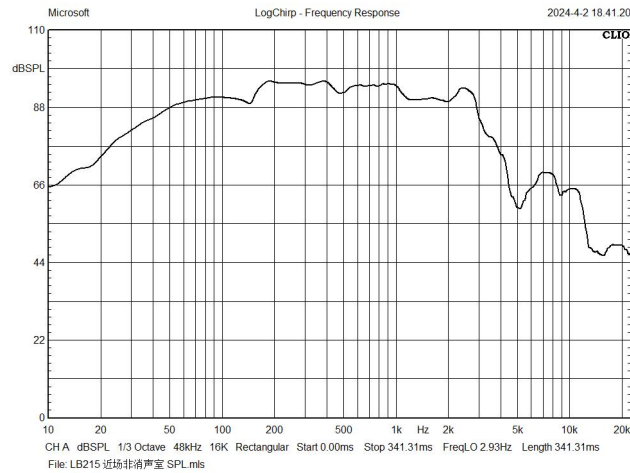
箱体: Physical	
木箱材料: Enclosure Material	俄罗斯桦木板
表面喷涂: Finish	黑色聚脲漆 (可定制色)
防水等级: Environmental	IPx4
连接器: Connectors	3 × Neutrik NL4
安装: Suspension/Mounting	搭配专用吊架串吊/置地
产品尺寸: Dimensions	(W)1066mm × (H)522mm × (D)600mm (W)41.96ins × (H)20.55ins × (D)23.62ins
净重量: Net Weight	63kg(138.8lb)

技术指标: Technical data:	
频率响应(+/-3dB): Frequency Response(+/-3dB)	40-300 Hz
频率响应(-10dB): Frequency Range(-10dB)	37-300 Hz
推荐高通滤波器: Recommended High-Pass Protection Filter	37Hz最小12dB/倍频程滤波器
指向性: Directivity	心形阵列配置
建议分频点: Recommended frequency division point	250Hz(需要DSP中的主动分频)
额定(AES)/峰值功率: Power handling capacity(RMS/peak 10 ms)	1800W/7200W
系统灵敏度: Sensitivity(SPL/1W@1m)(2)	100dB
最大声压级(SPL@1m)峰值: Calculated Maximum SPL@1m,peak	137dB
扬声器: Transducers	
低音扬声器: Low Frequency	2 × 15"18Sound低音扬声器(3.5" voice coil)
额定阻抗: Nominal Impedance	4 Ω

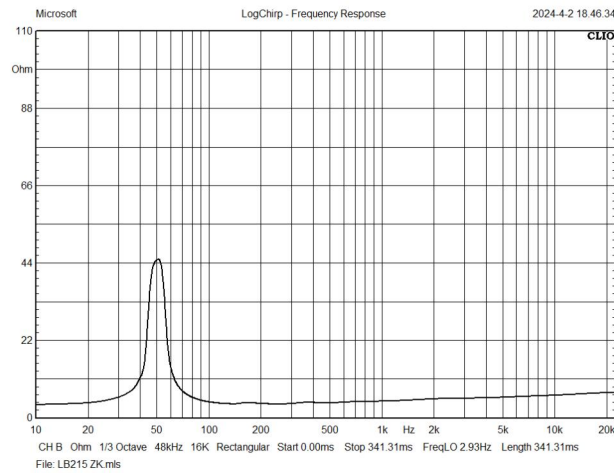
Dimensions



Frequency Response



Impedance



注悉：

- 1.以上频响曲线及参数均在消声环境中测得.
- 2.相关测试执行以下标准：
GB/T9397-2013《直接辐射式电动扬声器通用规范》。
GB/T12060.5-2011《声系统设备 第5部分：扬声器主要性能测试方法》。
- 3.额定功率按照AES标准2小时连续时间。
- 4.本公司保留最终解释权。